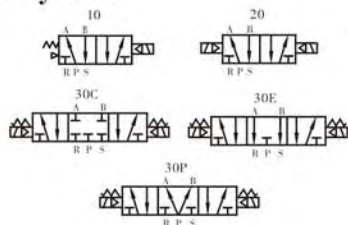


SOLENOID VALVE(5/2 5/3 WAY)

4V400 SERIES

Symbol

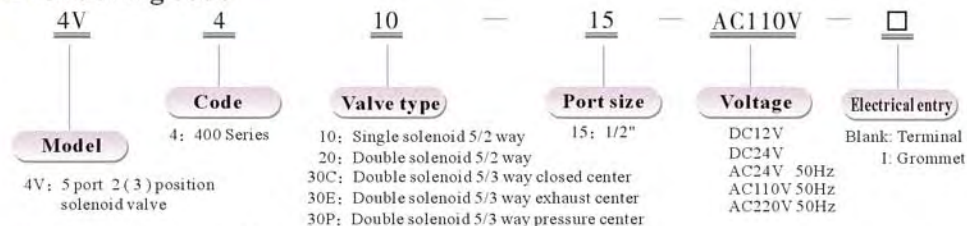


Specification

Item\Type	4V410-15	4V420-15	4V430C-15	4V430E-15	4V430P-15
Fluid	Air (to be filtered by 40 μ filter element)				
Operating	Internally piloted				
Valve type	5 port 2 position		5 port 3 position		
Orifice size	50mm ² (Cv=2.79)		30mm ² (Cv=1.67)		
Port size	In=Out=Exhaust=1/2"				
Lubrication	Not required				
Pressure range	1.5~8.0 bar (0.15~0.8MPa)(21~114Psi)				
Proof pressure	12.0 bar (1.2MPa)(170Psi)				
Temperature	-5~60 °C (23~140°F)				
Voltage range	-15%~+10%				
Power consumption	AC: 3.5VA DC: 2.5W				
Insulation	B class				
Protection	IP65 (DIN40050)				
Connector	DIN Terminal or Grommet				
Max frequency	3 cycle/sec				
Min activating time	0.05 sec				
Weight	590g	770g	770g	770g	770g

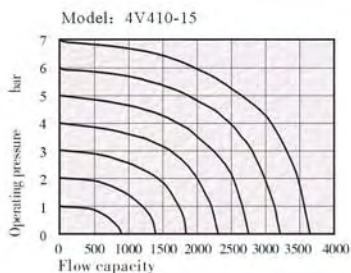
*Note: PT, NPT, BSPP Thread are available.

Ordering code



* Note: Please to refer page I-27 for manifold type and ordering.

Flow chart



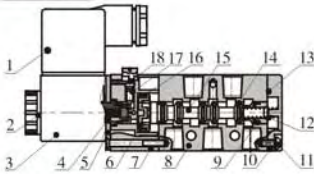
SOLENOID VALVE(5/2 5/3 WAY)

4V400 SERIES

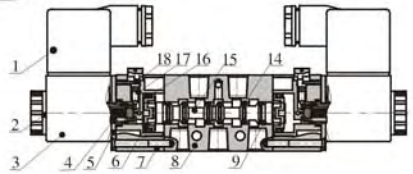


Inner structure

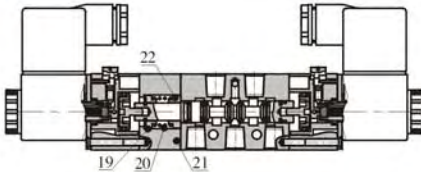
4V410



4V420



4V430C



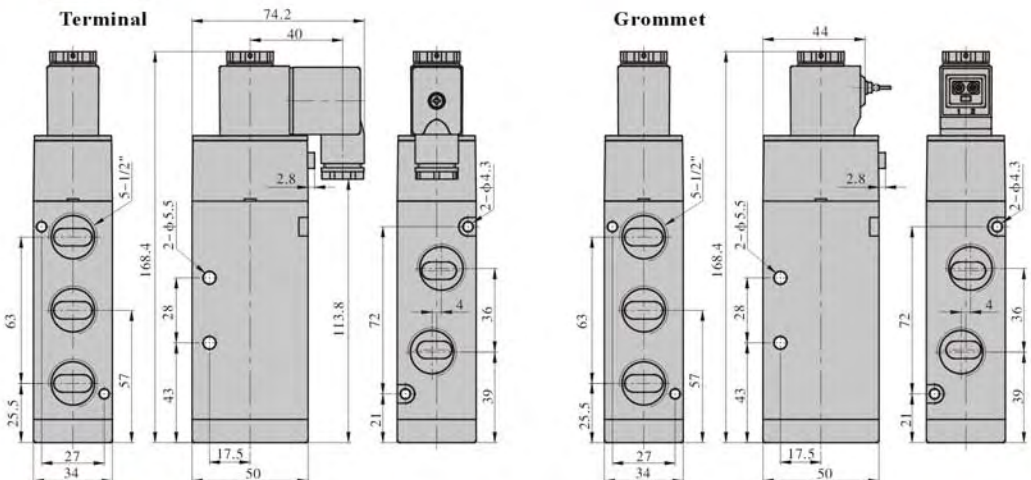
NO.	Item	NO.	Item
1	Connector	2	Nut
3	Coil	4	Armature assembly
5	Fixed plate	6	Piston
7	Pilot kit	8	Body
9	Wearing ring	10	Bottom cover
11	Fixed screw	12	Spool spring
13	Bottom cover gasket	14	Spool O-ring
15	Spool	16	Piston O-ring
17	Override spring	18	Manual override
19	Spring holder	20	Return spring
21	Side cover	22	Spring holder

Material of major parts

Item	4V410	4V420	4V430	Item	4V410	4V420	4V430	Item	4V410	4V420	4V430
Body		Aluminum alloy		Fixed plate		Steel with nickel plated		Manual override spring		Stainless steel	
Spool		Aluminum alloy		Nut		Plastic		Spool spring		Stainless steel	
Manual override O-ring		NBR		Manual override		Plastic		Pilot body		Plastic	
Connector gasket		NBR		Bottom cover		Zinc alloy	-	Fixed screw		Plastic	
Spool O-ring		HNBR		Bottom cover gasket		NBR	-	Coil cover		Heat-resistant resin	
Return kit	-		Copper	Pilot gasket		NBR		Manifold		Aluminum alloy	
Side cover	-		Aluminum alloy	Connector		Plastic		Piston		Plastic	
Return spring	-		Stainless steel	Return spring kit		-	Copper	Armature		Pure iron	

Dimensions

4V410



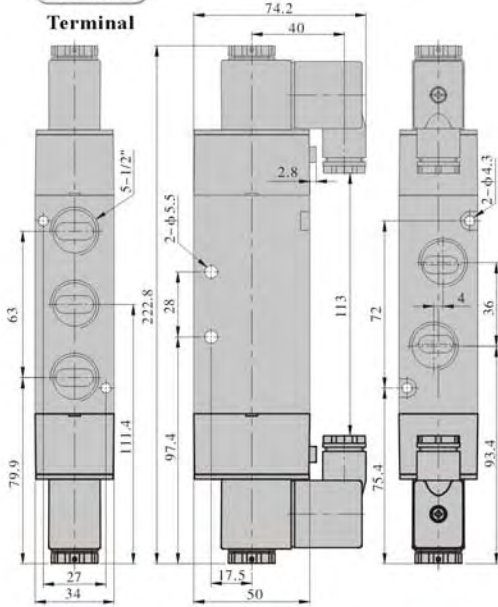
SOLENOID VALVE(5/2 5/3 WAY)

AIRTAC

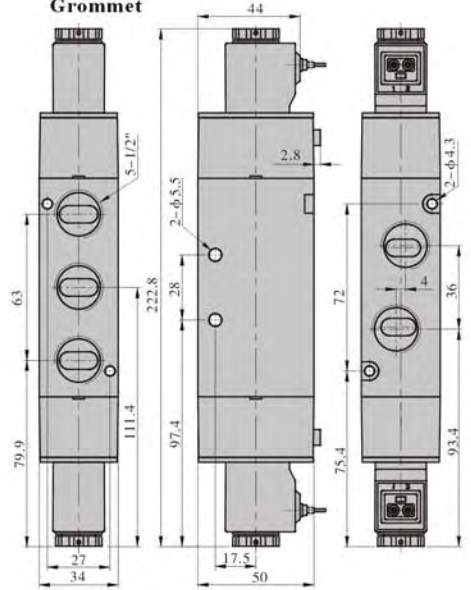
4V400 SERIES

4V420

Terminal

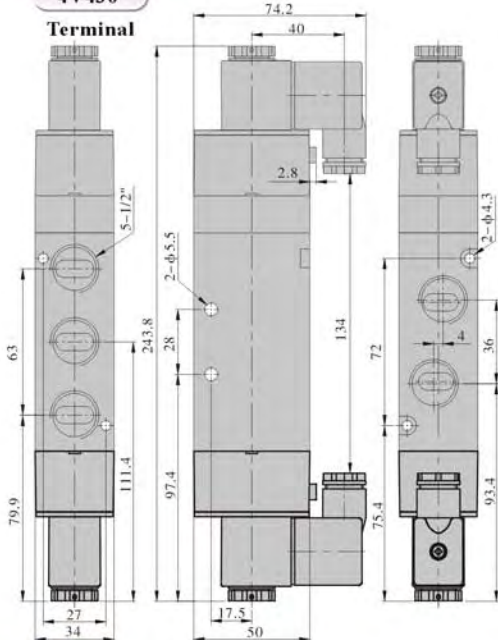


Grommet



4V430

Terminal



Grommet

